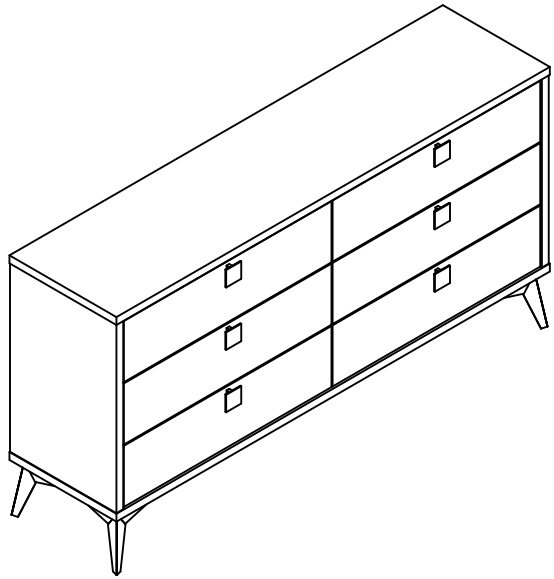
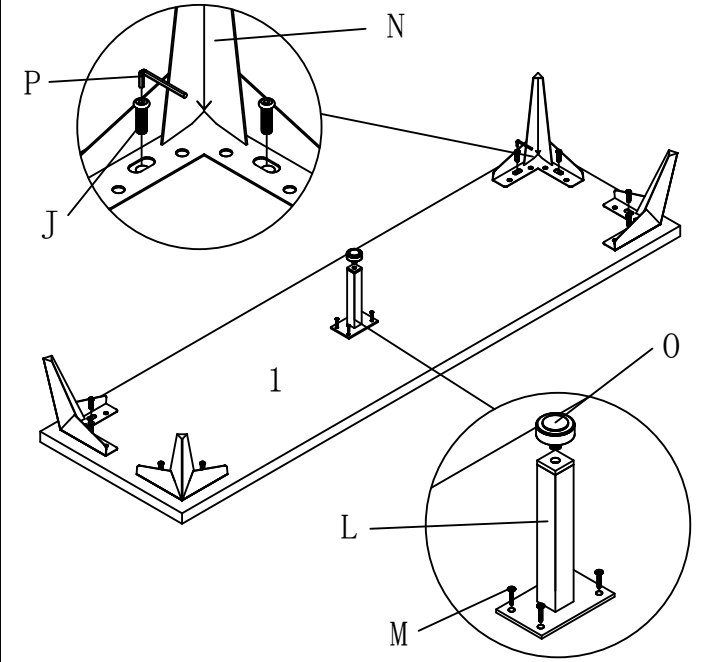


JL-02009A

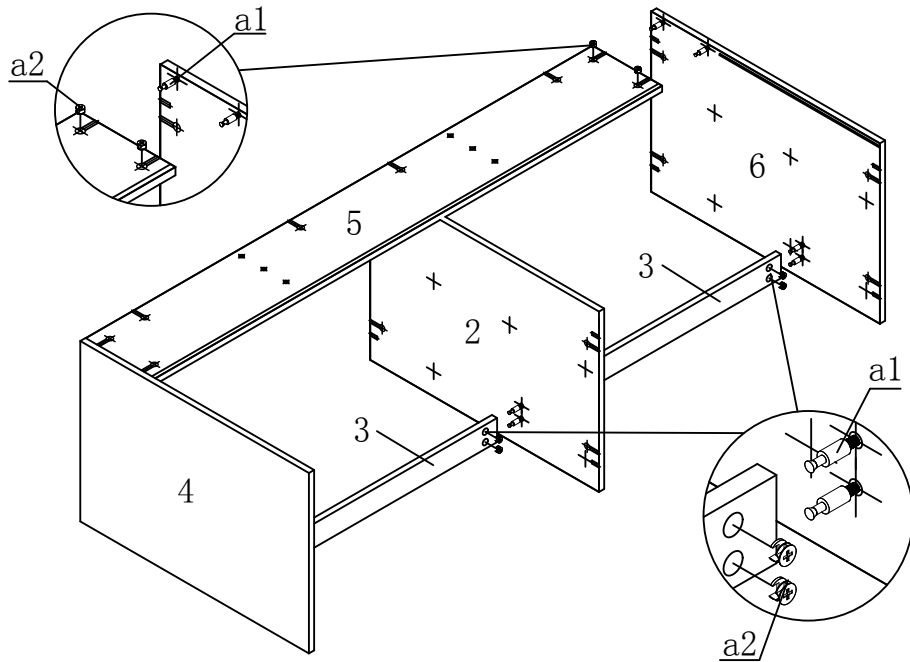


A φ15mm a2 a1 x28	B φ10mm b2 b1 x36	C φ8*30mm x12	D φ3.5*14 x48
E x60	F φ3.5*20 x6	G x6	H M4*22 x12
I x6	J M8*15 x8	K φ3.5*30 x36	L x1
M φ4*16 x4	N x4	O x1	P x1

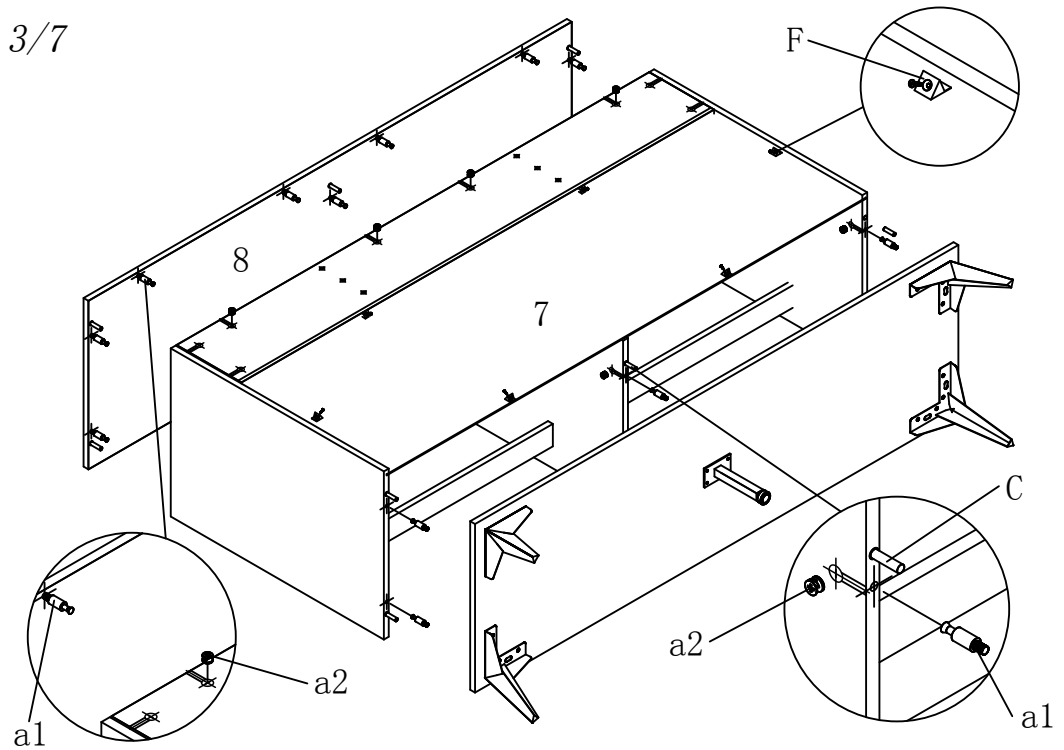
1/7



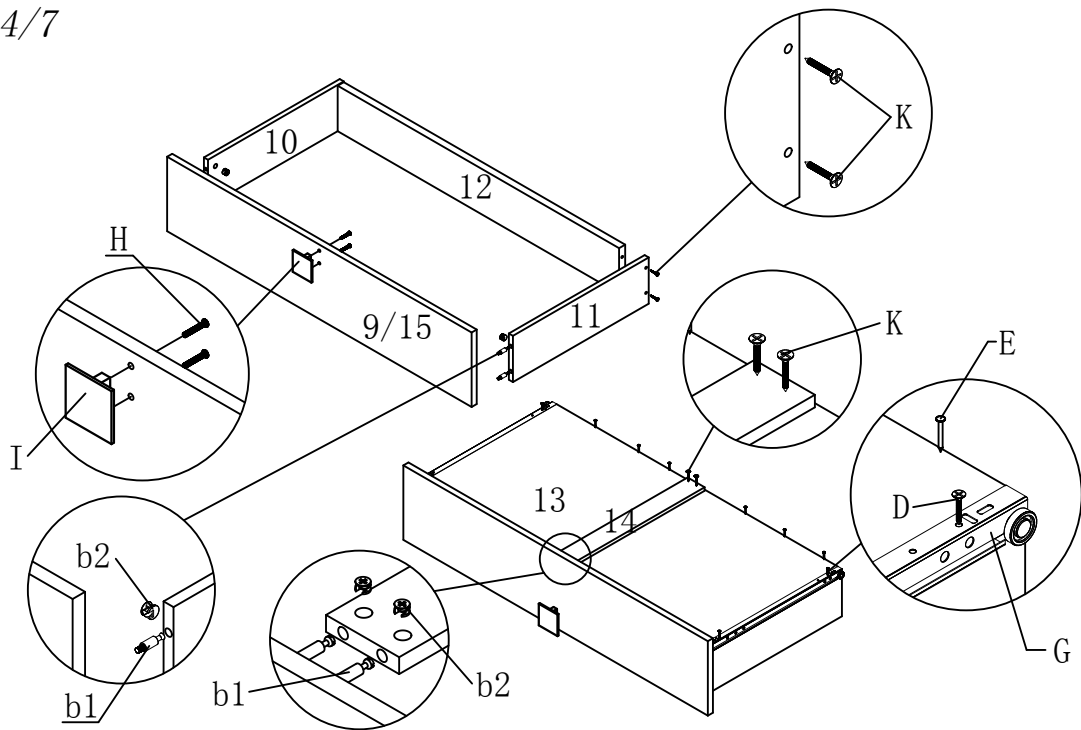
2/7



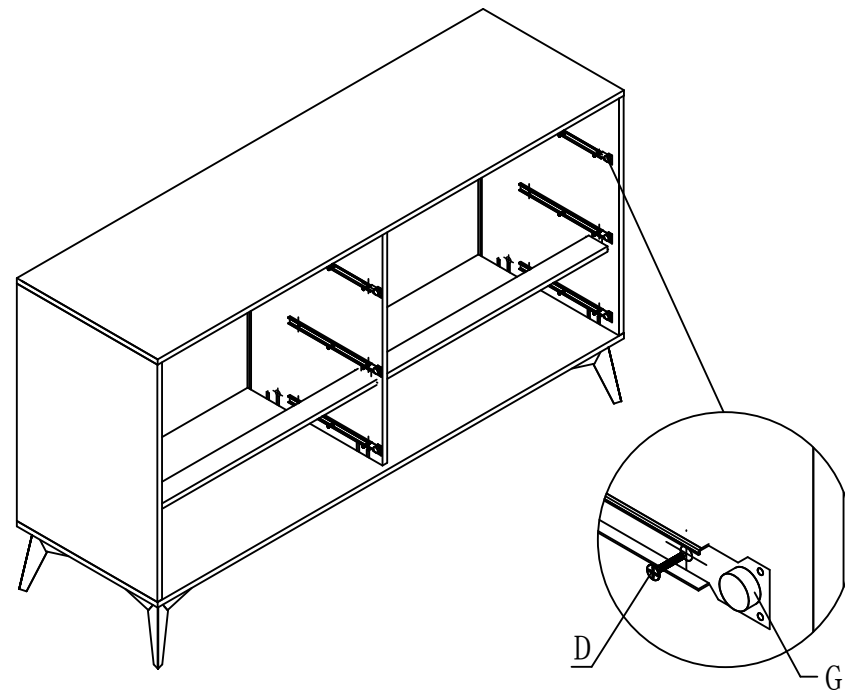
3/7



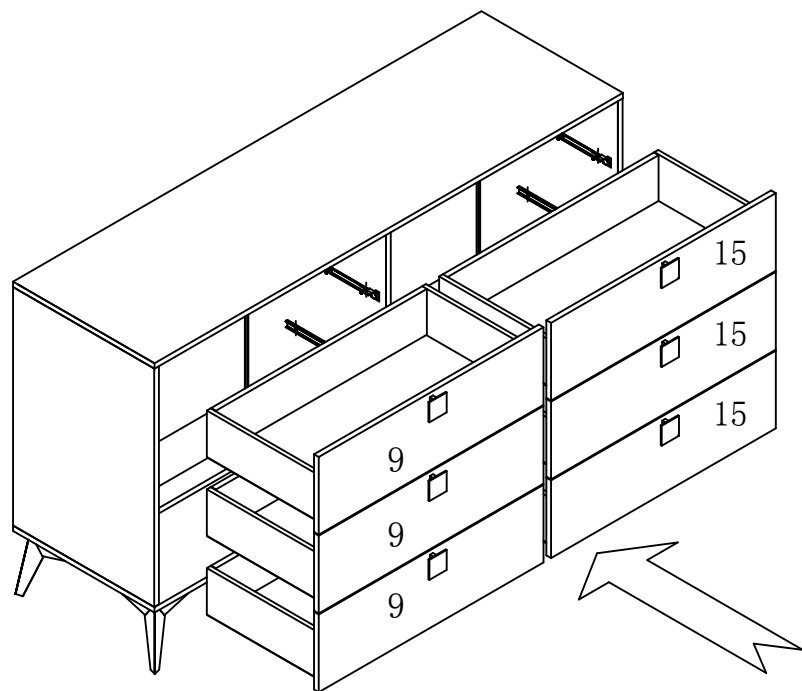
4/7



5/7



6/7



7/7

