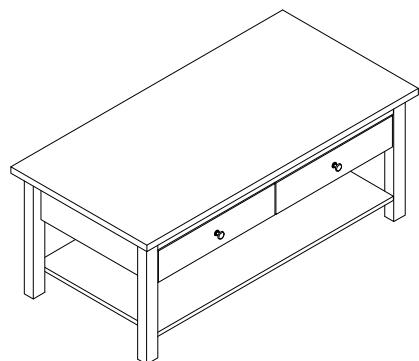
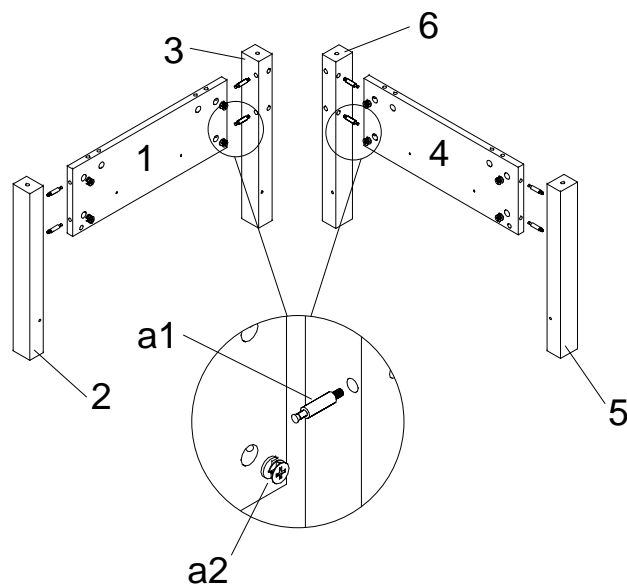


# A2080-B

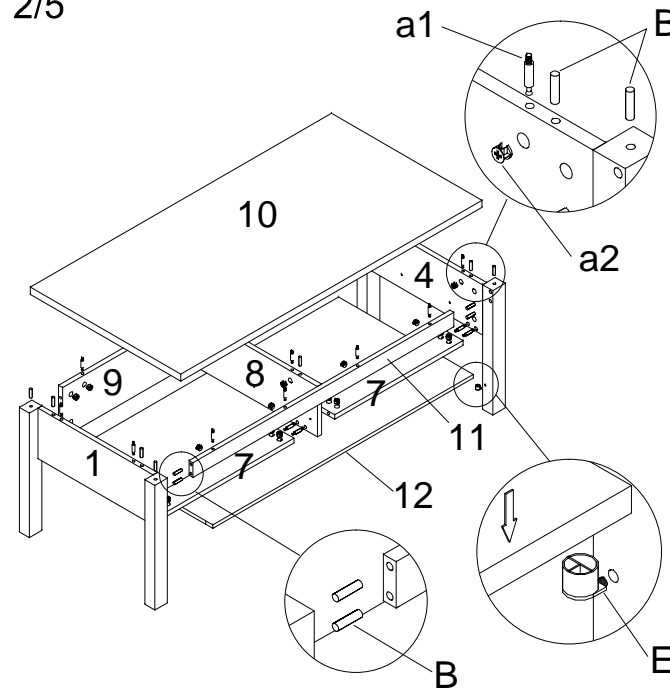


- A**  
  
 $\phi 1.5\text{mm}$   
 a2 a1  
 44PCS
- B**  
  
 $\phi 8 \times 30$   
 14PCS
- C**  
  
 2SET
- D**  
  
 $\phi 3.5 \times 14$   
 16PCS
- E**  
  
 4PCS
- F**  
  
 $\phi 3.5 \times 35$   
 8PCS
- G**  
  
 1SET
- H**  
  
 20PCS
- I**  
  
 2SET
- J**  
  
 $\phi 4 \times 16$   
 4PCS

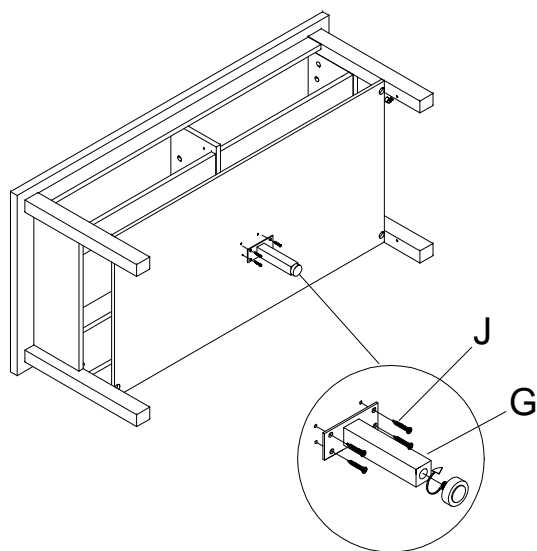
1/5



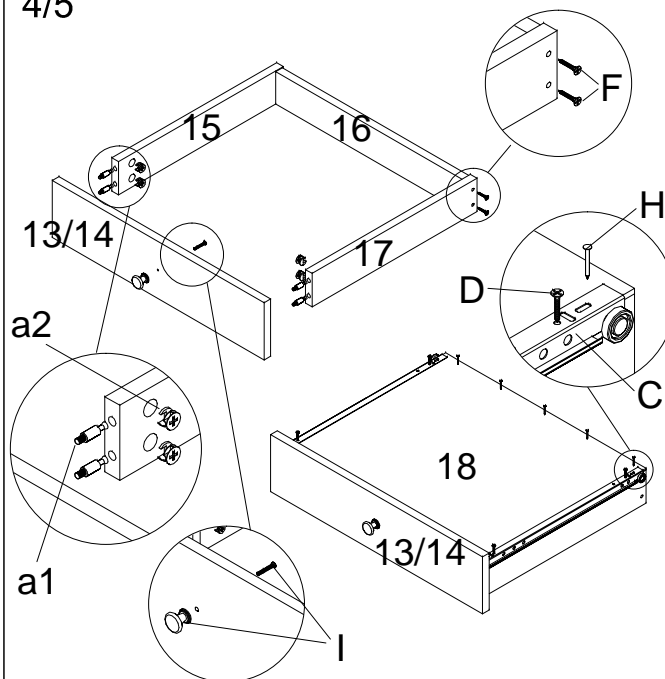
2/5



3/5



4/5



5/5

